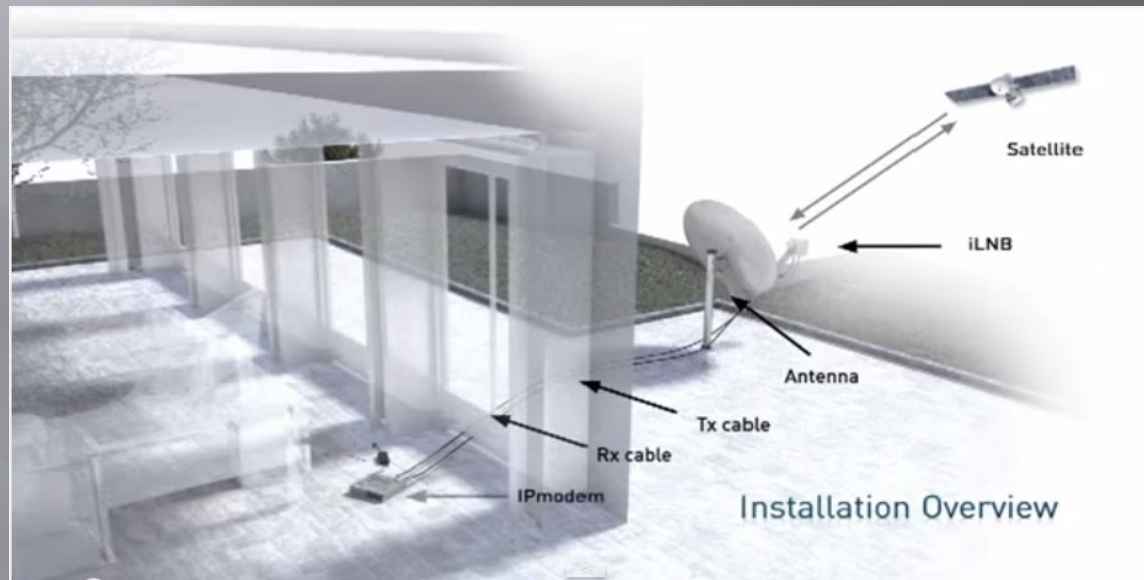


IGSAT BROADBAND INSTALLATION

January 7,
2015

Installation Overview



Find a suitable location for the outdoor terminal equipment that is clear and no obstruction from the satellite.

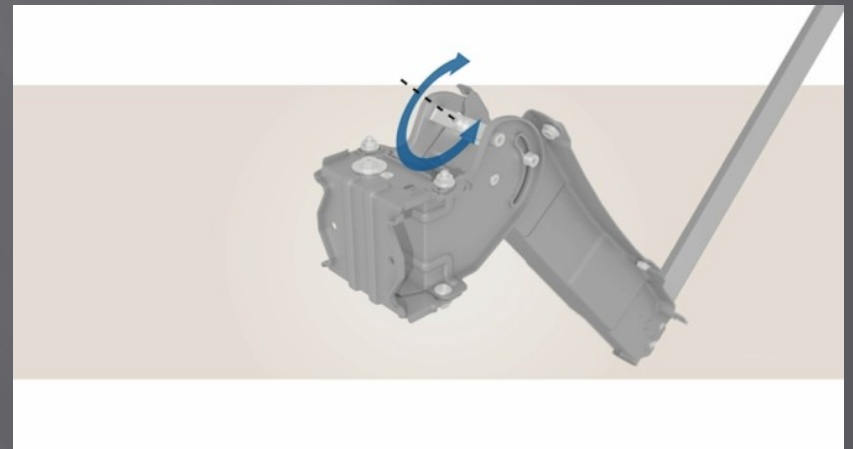
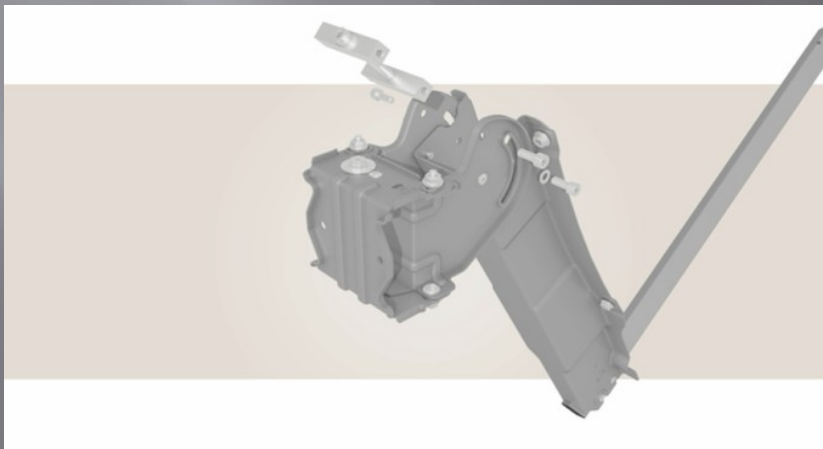
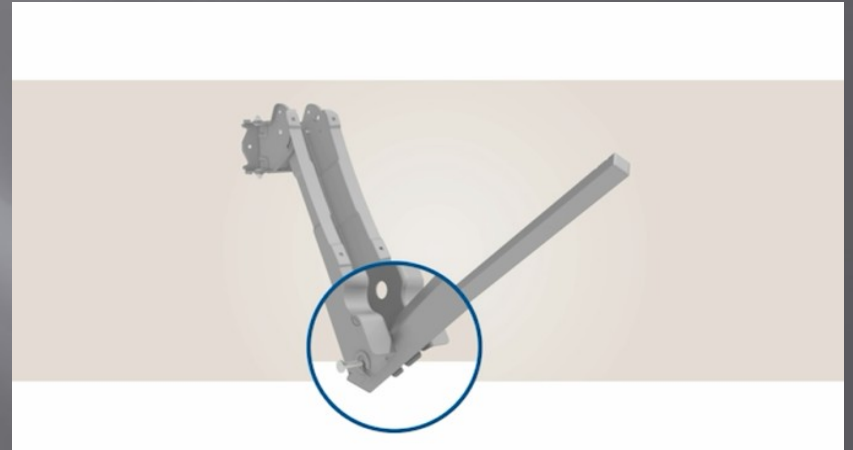
WHAT'S IN THE BOX

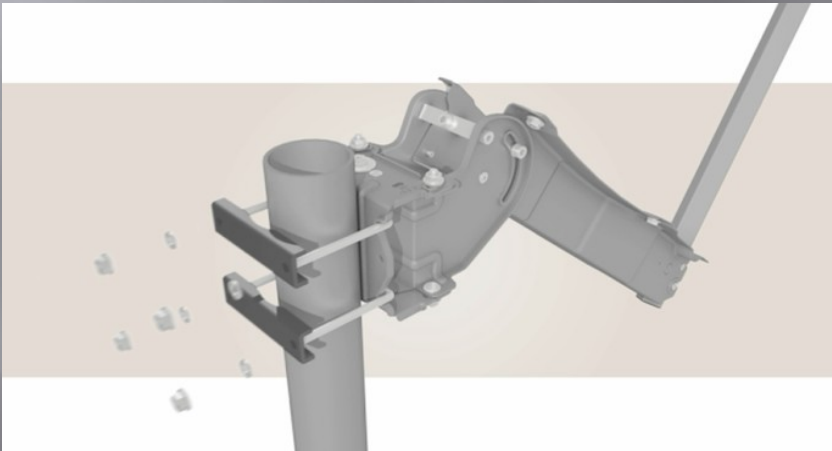
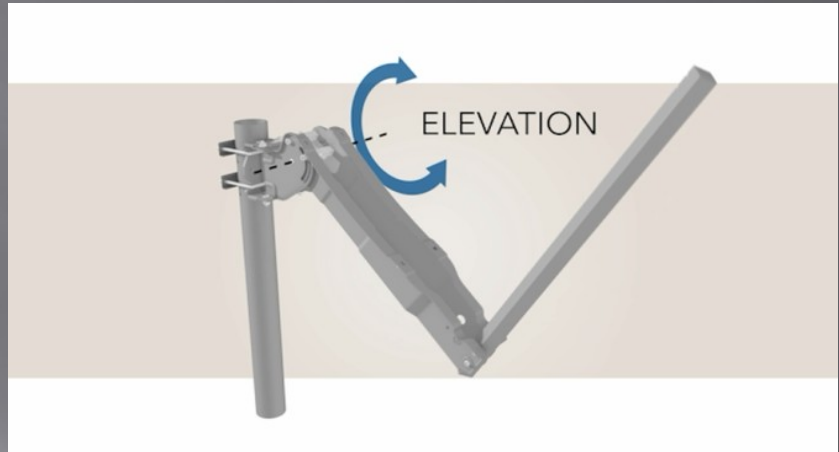


- IP Modem
- Satellite Dish
- iLNB
- Dual Coax Cable
- Lan Cable
- Point and Play device

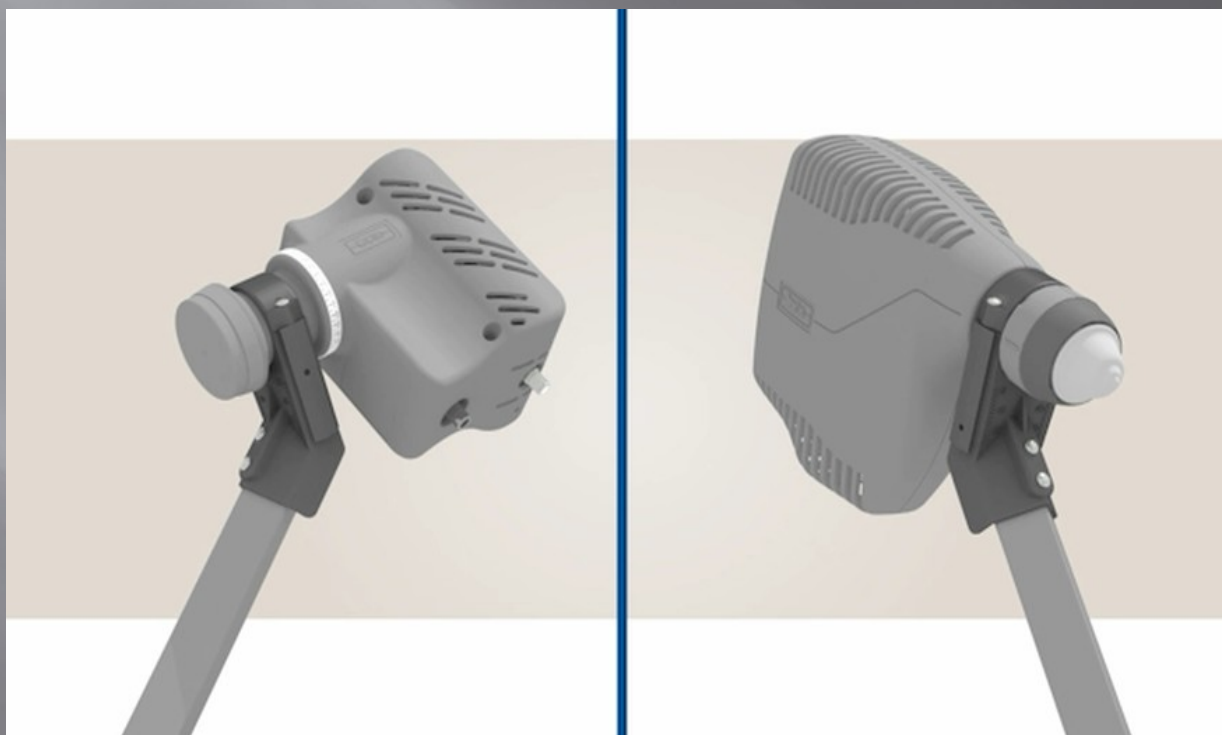
SATELLITE DISH ASSEMBLY

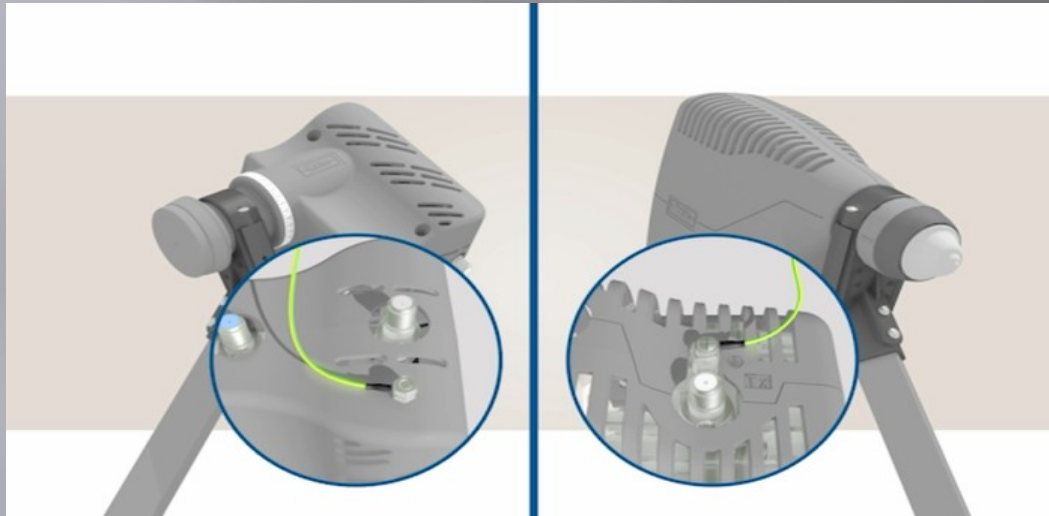
Assemble the satellite dish based on the installation manual provided with the dish.





Place and position iLNB based on the supplied parameters. Angle setting are based on location on where the terminal is located



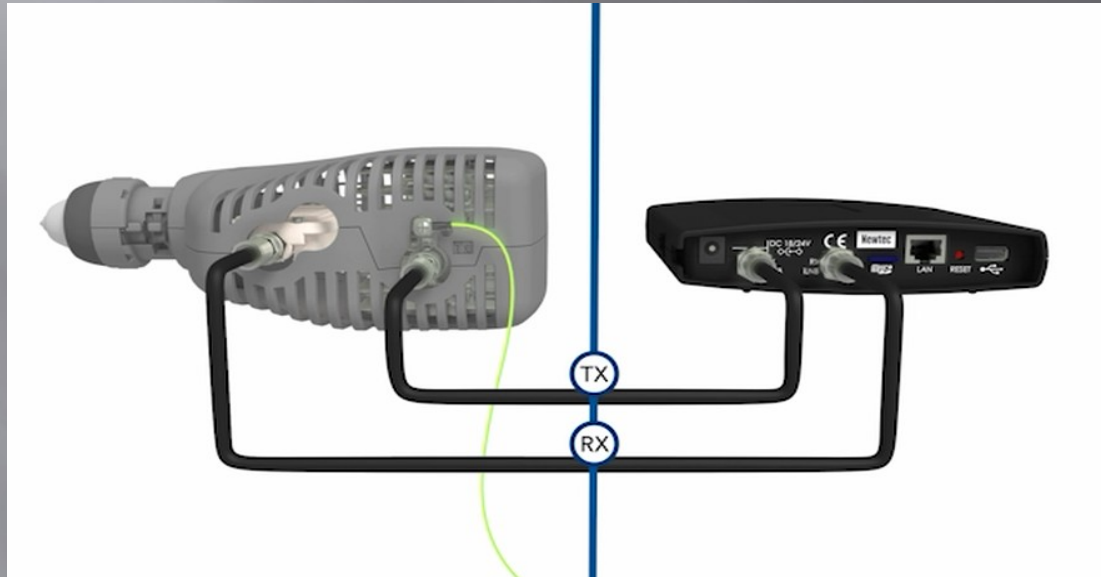


Connect ground cable to iLNB.



Connect ground from iLNB to pole mast.

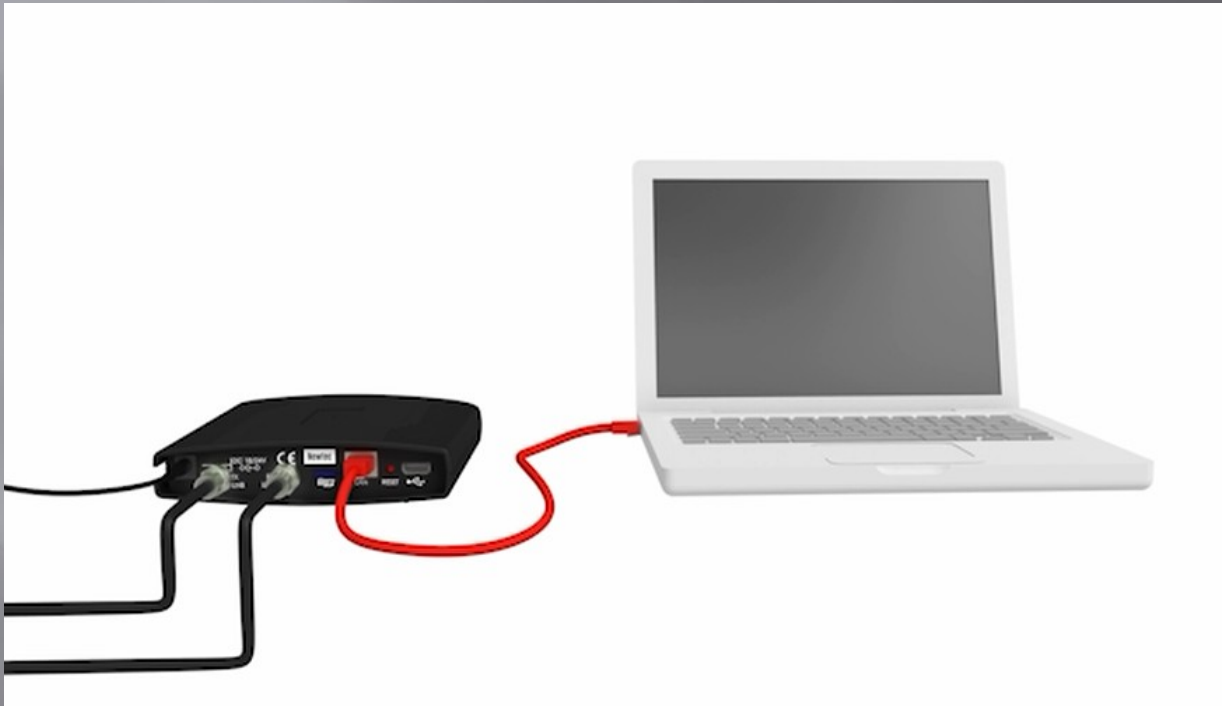
Modem and iLNB connections



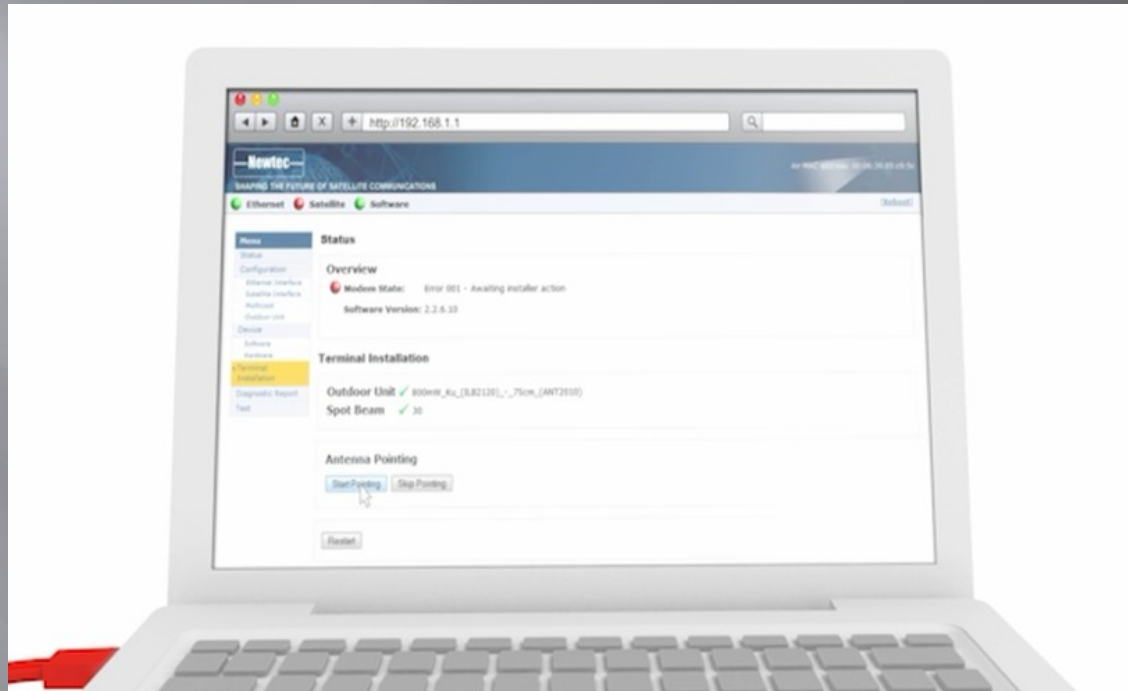
Connect TX (transmit) of iLNB to TX of Modem

Connect RX (receive) of iLNB to RX of Modem

Modem configuration and provisioning



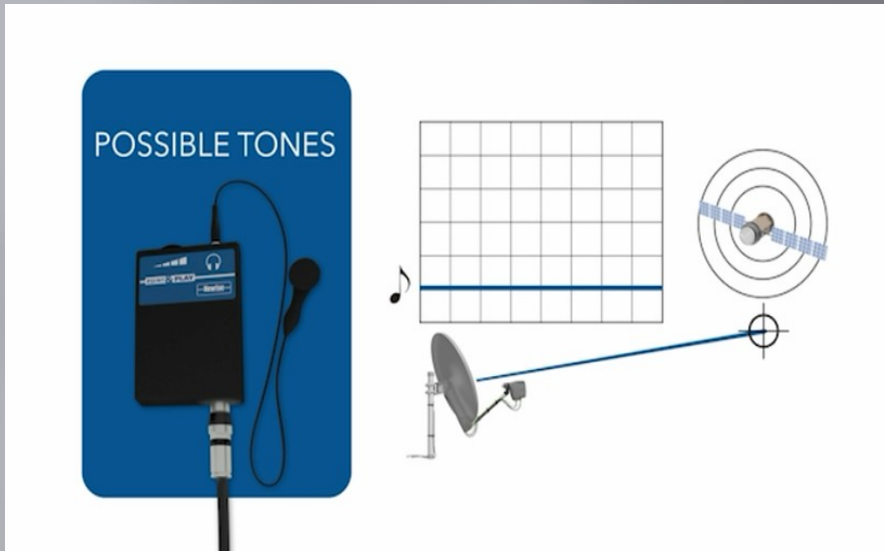
Connect Modem to PC via the supplied Lan Cable.



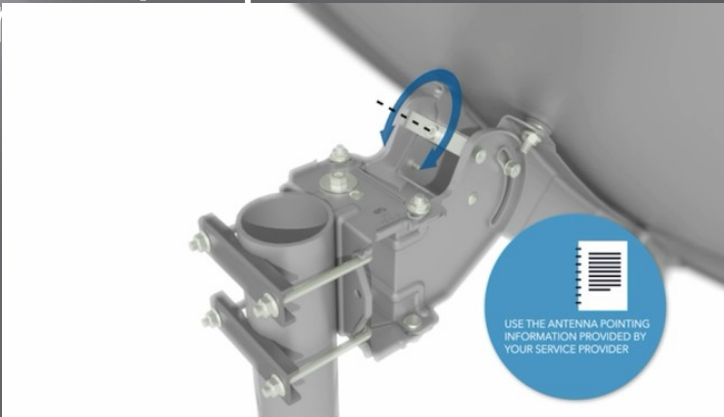
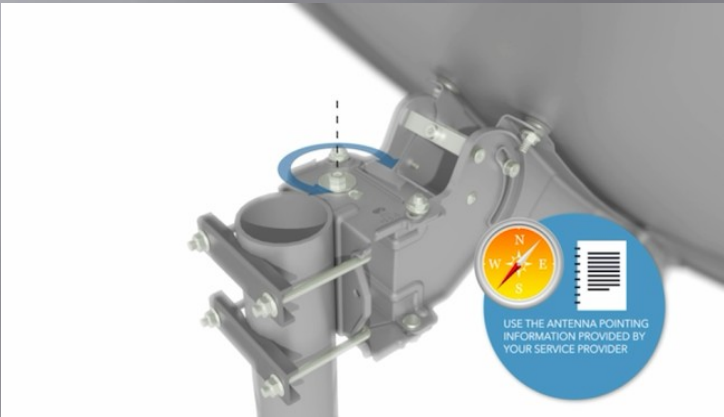
- On the Laptop/PC, launch browser, ie. Firefox, Chrome, or Internet Explore then type the default IP address of the modem. 192.168.1.1
- On the IP modem Net GUI, you will be guided on the rest of the pointing process.



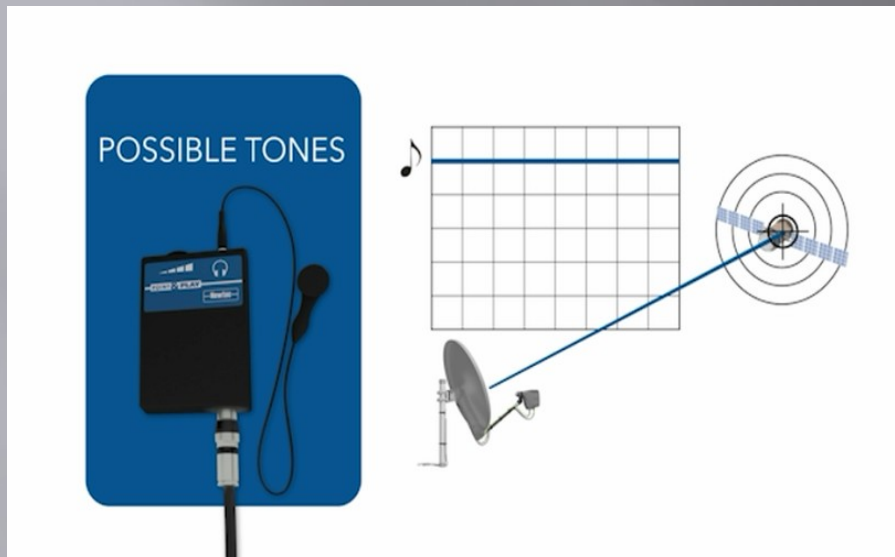
- Once all settings are done on the Net Gui, ie. Outdoor unit dish size and iLNB selection, pointing of satellite dish outside will be done using the point and play device.
- Disconnect the TX cable from the iLNB and connect it to the point and play device.
- Set the volume control of the device to a suitable and audible setting



If you hear a low pitch or dotted tone, this means you are not properly beamed on the satellite and minor adjustment on the azimuth and elevation is



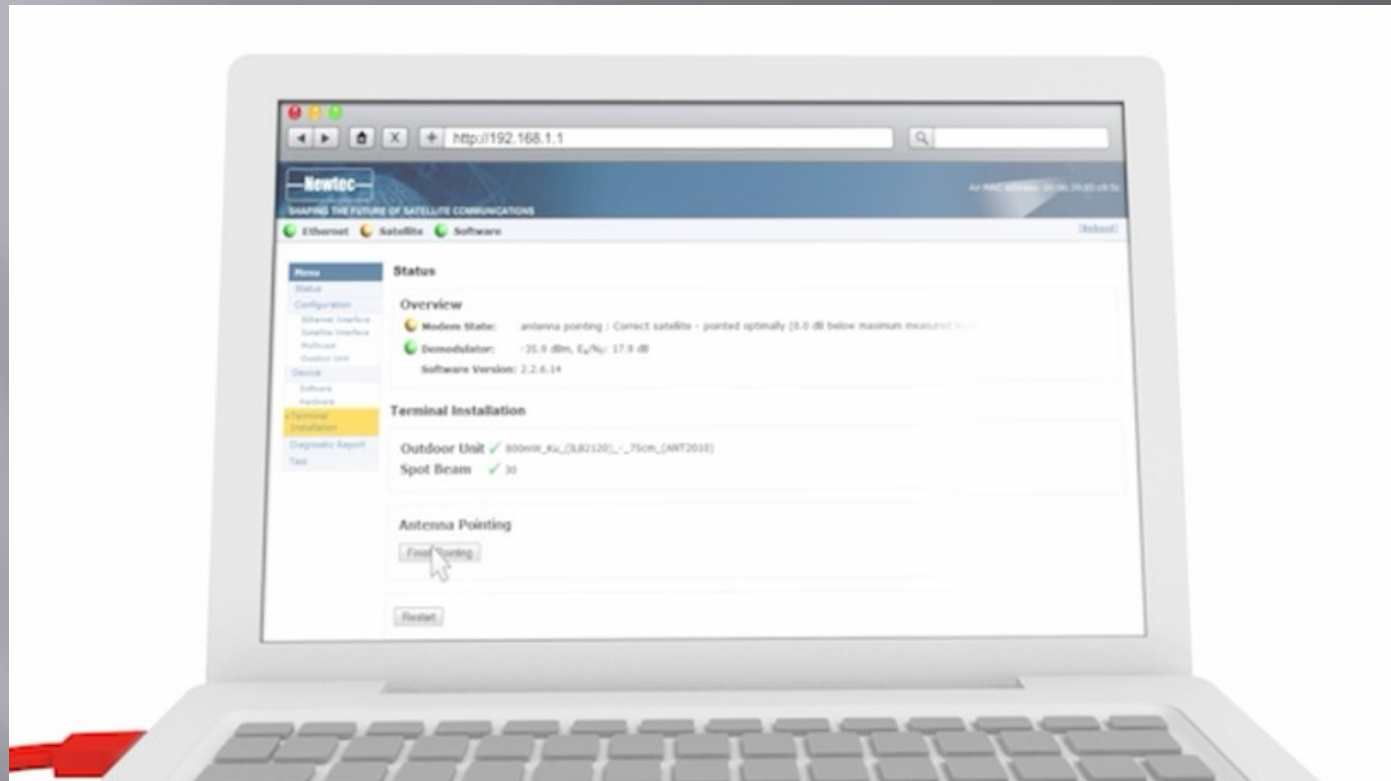
Azimuth fine tuning adjustment Elevation fine tuning adjustment



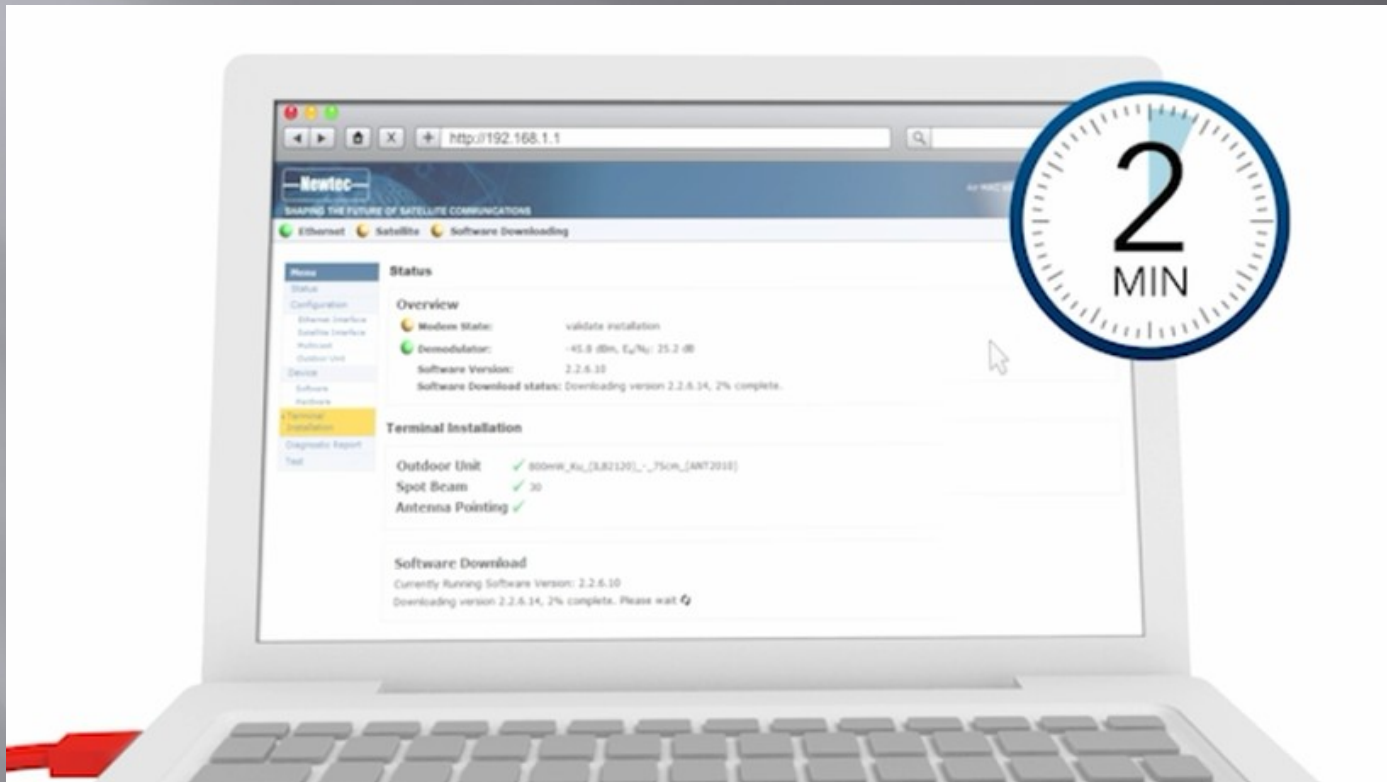
Once properly aligned, a high and continuous pitch tone will be heard. This means the dish is beamed on the center of the satellite.



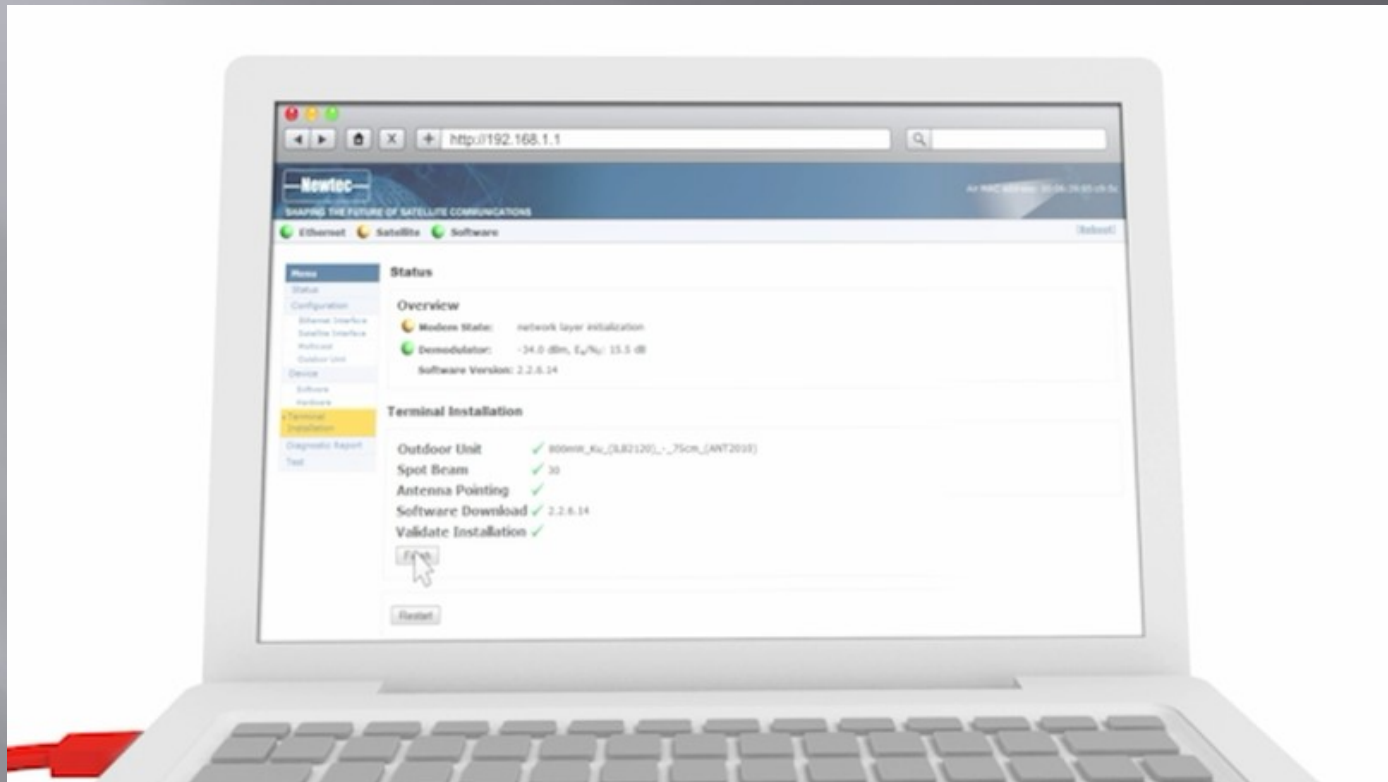
Disconnect the TX cable from the point and play device and reconnect to the TX of the iLNB.



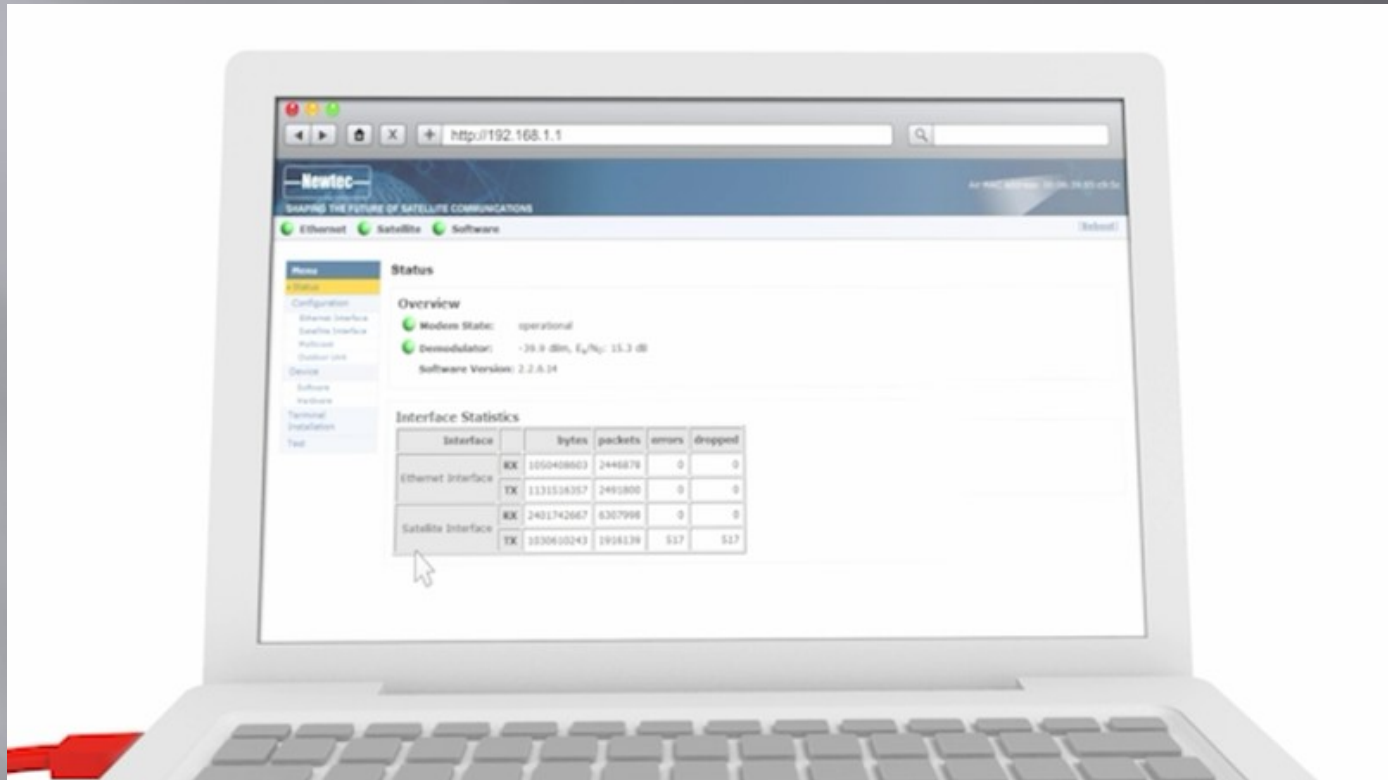
- Back on the PC or Laptop, you will be guided again on the step by step by process once successfully pointed.
- click on the finish Pointing Button.



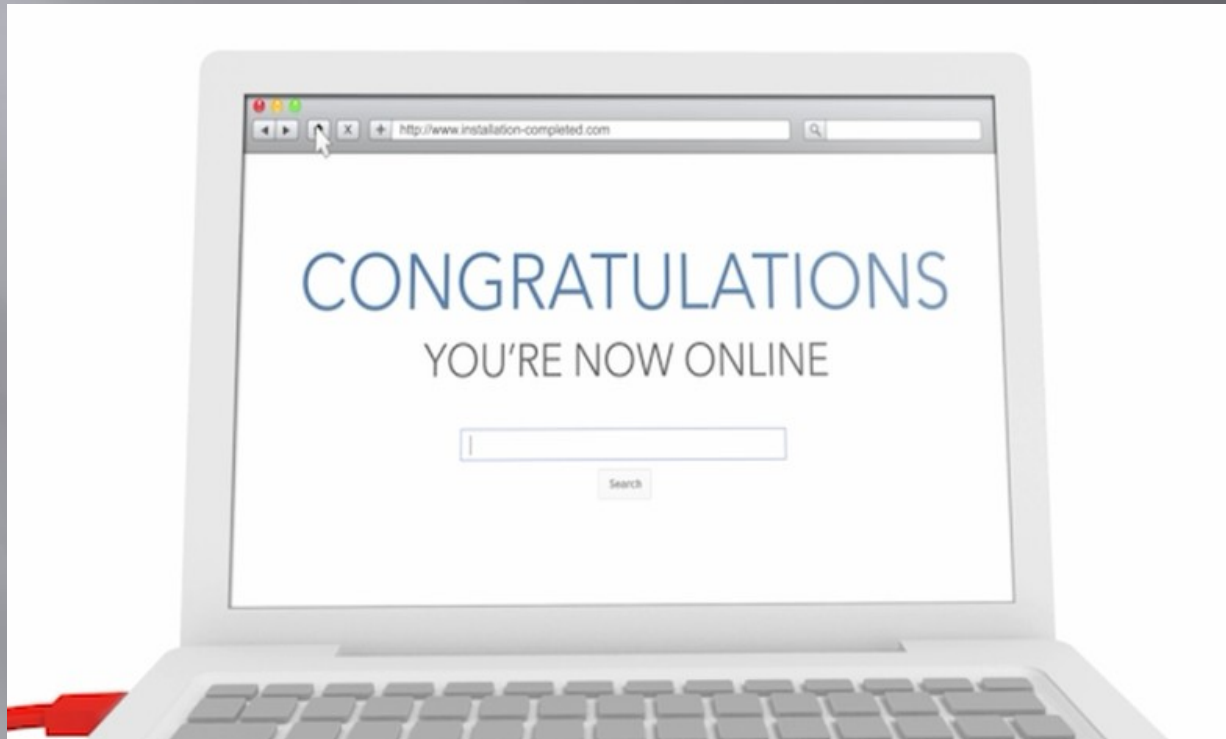
- Wait for atleast 2mins to process and validate the installation.



- Once validation is complete, click on the finish button



- After that, the screen will refresh and you will notice that the Satellite button and Modem State are all “GREEN” indicating that the modem is on-line and operational.



- You can now go to your home browser and search the net.
- Congratulations!

Actual Satellite Dish installed at iGSAT TOC

